

HYGIENIC, ALL 300 SERIES STAINLESS STEEL, IP69K ERD

The all 300 series stainless-steel ERD incorporates hygienic design principles and has an IP69k rating (static). Available in 22, 25 & 30 sizes, the ERD is built-to-order in stroke lengths up to 1.21 m (48") with force up to 35 kN (7,868 lbf).

ALL 300 SERIES STAINLESS STEEL CONSTRUCTION

- 300 series stainless steel for corrosion resistance
- Simplifies and lowers cost of machine design by eliminating the need for protective guards around standard actuators

MULTIPLE SCREW TECHNOLOGIES YOU CAN CHOOSE:

- Ball nuts offer efficiency at a cost effective price; low-backlash available
- Roller nuts provide the highest thrust and life ratings available



USDA SCRAPER

- Available with USDA certified option **HYG1**



SMOOTH EXTERIOR


- This primary design decision eases cleanup and helps to prevent bacterial growth

WELDED SEAMS

- Leaving no gaps which eases cleanup and helps to prevent bacterial growth

DURABLE IP69K SEALS

- Polyurethane for IP69k ingress protection and resistance to caustic wash-down
- Clean-in-place compatible



Volumetric Filling

HYG1 option is recommended for product contact applications. See Tolomatic document #2190-4003 for requirements

Applications:

- Aligning
- Conveyors
- Chopping
- Cutting
- Dumping
- Filling
- Open/close doors
- Open/close lids
- Packaging equipment
- Slicing
- Sorting
- Volumetric pumps & more!

Available Options:

Mounting

Front Flange, Foot, Trunnion

Sensors

With mounting bracket

Environmental Protection

Food grade grease, USDA approved scraper/bracket

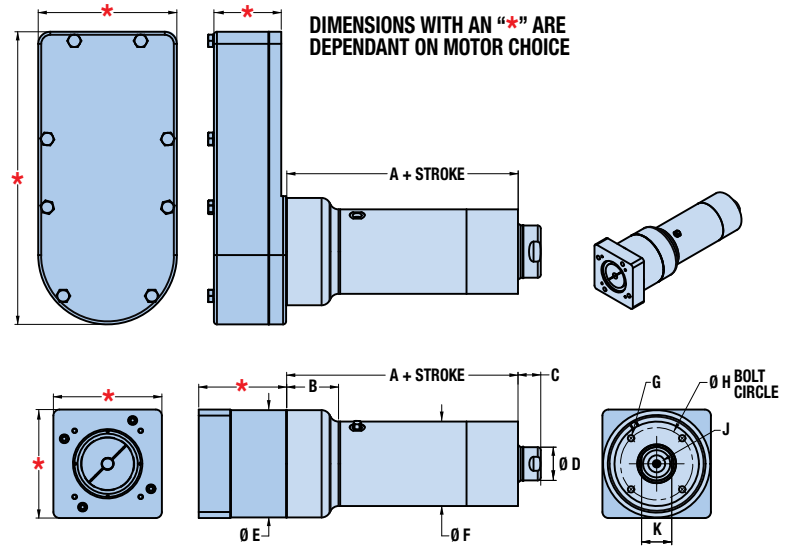
HYGIENIC, ALL 300 SERIES STAINLESS STEEL, IP69K

Specifications (metric measurement)

ERD SIZE	MAXIMUM STROKE*	SCREW CODE	LEAD		BACKLASH	MAXIMUM THRUST	DYNAMIC LOAD RATING
			mm/rev	mm/300mm			
mm					mm	N	N
22	1000	BN02	12.70	0.10	0.38	7117	12615
		BN05	5.08	0.08	0.38	4226	7224
		BNM05	5.00	0.05	0.10	4448	8710
		BNM10	10.00	0.05	0.10	4003	5400
		BNM20	20.00	0.10	0.10	4448	11387
	609.6	RNM04	4.00	0.01	0.03	7562	24808
25	1000	RNM05	5.00	0.01	0.03	7562	24808
		RNM10	10.00	0.01	0.03	3781	30270
		BN01	25.40	0.102	0.05	3163	11120
		BN02	12.70	0.102	0.05	6330	29100
		BN04	6.35	0.102	0.05	12660	23300
	914.4	BNM05	5.00	0.051	0.10	8896	15101
30	1219	BNM10	10.00	0.051	0.10	7784	15000
		BNM25	25.00	0.102	0.13	3114	11285
		RNM04	4.00	0.0102	0.03	14679	56768
		RNM05	5.00	0.0102	0.03	14679	56768
		RNM10	10.00	0.0102	0.03	6672	56768
	1219	BN04	6.35	0.102	0.38	20017	31774
1219	BNM05	5.00	0.051	0.10	13345	29865	
	BNM10	10.00	0.051	0.10	13122	33255	
1219	BNM20	20.00	0.051	0.13	8207	42800	
	RNM05	5.00	0.010	0.03	34999	56768	
	RNM10	10.00	0.010	0.03	35332	56768	

Dimensions SIZE: 22, 25, 30

ERD



	A	B	C	D	Ø E	Ø F	
ERD22	mm	187.33	42.88	17.8	27.99	74.9	56.9
ERD25	mm	243.74	54.66	23.9	35.00	113.0	88.9
ERD30	mm	243.74	54.66	23.9	54.99	113.0	88.9

	G	Ø H	
ERD22	mm	M6 x 1.0 - 6H \pm 12.0 (.47")	45.49
ERD25	mm	M8 x 1.25 - 6H \pm 16.0 (.63")	76.20
ERD30	mm	M8 x 1.25 - 6H \pm 16.0 (.63")	76.20

	J	K	
ERD22	mm	M12 x 1.25 \pm 33.0 (.88")	25.40
ERD25	mm	M20 x 1.5 \pm 25.4 (1.00")	31.75
ERD30	mm	M27 x 2.0 \pm 33.0 (1.30")	50.80

ACTUATOR SIZING

COMPLETE INFORMATION, SIZING SOFTWARE AND SOLID MODELS AVAILABLE AT:

www.tolomatic.com

3D CAD LIBRARY

Tolomatic™

EXCELLENCE IN MOTION

USA - Headquarters
Tolomatic Inc.
 3800 County Road 116
 Hamel, MN 55340, USA
Phone: (763) 478-8000
 Toll-Free: **1-800-328-2174**
sales@tolomatic.com
www.tolomatic.com

MEXICO
Centro de Servicio
 Parque Tecnológico Innovación
 Int. 23, Lateral Estatal 431,
 Santiago de Querétaro,
 El Marqués, México, C.P. 76246
Phone: +1 (763) 478-8000
help@tolomatic.com

EUROPE
Tolomatic Europe GmbH
 Elisabethenstr. 20
 65428 Rüsselsheim
 Germany
Phone: +49 6142 17604-0
help@tolomatic.eu

CHINA
Tolomatic Automation Products (Suzhou) Co. Ltd.
 No. 60 Chuangye Street, Building 2
 Huqiu District, SND Suzhou
 Jiangsu 215011 - P.R. China
Phone: +86 (512) 6750-8506
ServoWeldChina@tolomatic.com

All brand and product names are trademarks or registered trademarks of their respective owners. Information in this document is believed accurate at time of printing. However, Tolomatic assumes no responsibility for its use or for any errors that may appear in this document. Tolomatic reserves the right to change the design or operation of the equipment described herein and any associated motion products without notice. Information in this document is subject to change without notice.

Visit www.tolomatic.com for the most up-to-date technical information

© 2021 Tolomatic, Inc.
202106171340
LITERATURE NUMBER: 2190-4007_02